

Wire Color	Color	Power
BRN	brown	C1
GRN	green	C2
YEL	yellow	C3, C15
BLU	blue	471F
GRN	green	2K2
PUR	purple	1W
GRY	grey	471F
WHT	white	100V
BRN	brown	24V
BLK	black	40V
WHT	white	
BLK	black	
GRY	grey	

Capacitor	Resistor	Fuses	Diodes
C1	R1	F1, F2, F3	D1, D2, D3, D4, D5, D6, D7, D8, D9
C2	R2	F4, F5	D11, D12
C3, C15	R3	F6, F7, F8	D22, D26, D28
471F	1W	3A	D14, D15
2200µF	15A	20A	3A
15000µF	15A	3A	
471F	10A	3A	
100V	10A	4A	
	20A	3A	

V-200-20

ITEM	PART NUMBER	REV.	DESCRIPTION	QTY.	MAT'L SPEC'S
<b>LIST OF MATERIAL</b>					
DRAWN A. MERCER		DATE 15.03.01	<b>SCHEMATIC DIAGRAM</b> <b>V-200-20/AC</b> <b>V-300-20/AC</b> <b>3PH 50Hz 12V; 24V</b> SHEET 1 of 2		
CHECKED M.J. NUS		DATE 05.09.01			
APPROVED LORENZO G		DATE 15.09.01			
THIS PRINT SUPERSEDES ANY OF EARLIER DATE. DESTROY SAME.					
SCALE		MATERIAL:		DRAWING NUMBER 3B18445	
FINISH:		REV.		A	



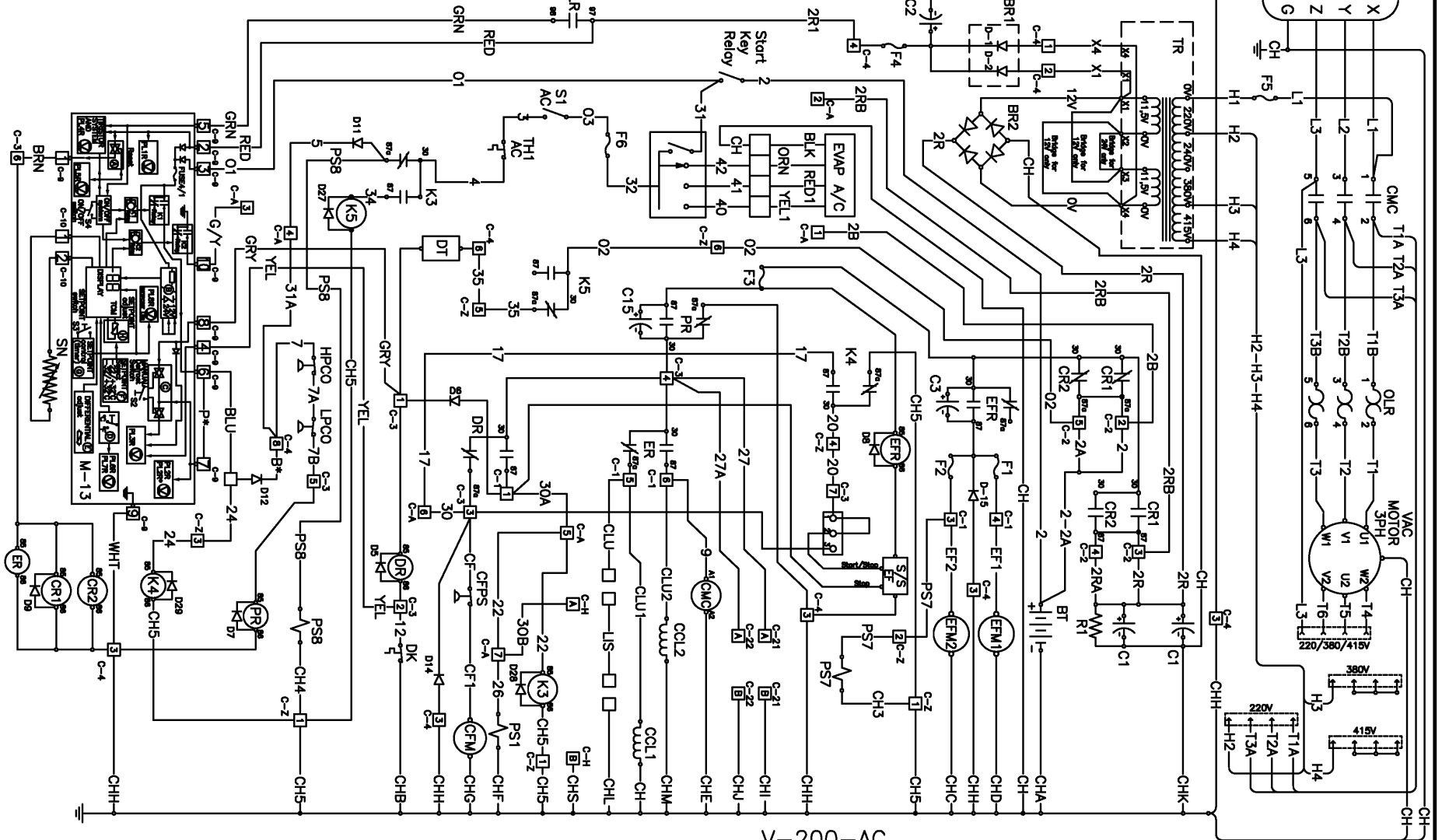
Ref. 3B18444

THIS DOCUMENT CONTAINS PROPRIETARY INFORMATION OF THE THERMO KING CORPORATION. IT IS TRANSMITTED TO YOU IN CONFIDENCE AND TRUST, AND IS TO BE RETURNED UPON REQUEST. ITS CONTENTS MAY NOT BE DISCLOSED IN WHOLE OR IN PART TO OTHERS OR USED FOR OTHER THAN THE PURPOSE FOR WHICH TRANSMITTED WITHOUT THE PRIOR WRITTEN PERMISSION OF THERMO KING CORPORATION.

REVISONS	DATE	BY
A/179837	15.03.01	AM
RELEASED		

18  
17  
16  
15  
14  
13  
12  
11  
10  
9  
8  
7  
6  
5  
4  
3  
2  
1

Wire Color	Capacitor	Resistor	Fuses	Diodes
BRN	C1	R1	F30, F22, F30, F40, F42, F44, F5	D4, D6, D7, D8, D9, D11, D12, D27, D28, D29, D14, D15
GRN	C2			
YEL	C3, C15			
GRN	C4			
GRN	C5			
GRN	C6			
PUR	C7			
GRY	C8			
GRY	C9			
WHT	C10			
BRK	C11			
BRK	C12			
GRY	C13			
GRY	C14			
GRY	C16			
GRY	C17			
GRY	C18			
GRY	C19			
GRY	C20			
GRY	C21			
GRY	C22			
GRY	C23			
GRY	C24			
GRY	C25			
GRY	C26			
GRY	C27			
GRY	C28			
GRY	C29			
GRY	C30			
GRY	C31			
GRY	C32			
GRY	C33			
GRY	C34			
GRY	C35			
GRY	C36			
GRY	C37			
GRY	C38			
GRY	C39			
GRY	C40			
GRY	C41			
GRY	C42			
GRY	C43			
GRY	C44			
GRY	C45			
GRY	C46			
GRY	C47			
GRY	C48			
GRY	C49			
GRY	C50			
GRY	C51			
GRY	C52			
GRY	C53			
GRY	C54			
GRY	C55			
GRY	C56			
GRY	C57			
GRY	C58			
GRY	C59			
GRY	C60			
GRY	C61			
GRY	C62			
GRY	C63			
GRY	C64			
GRY	C65			
GRY	C66			
GRY	C67			
GRY	C68			
GRY	C69			
GRY	C70			
GRY	C71			
GRY	C72			
GRY	C73			
GRY	C74			
GRY	C75			
GRY	C76			
GRY	C77			
GRY	C78			
GRY	C79			
GRY	C80			
GRY	C81			
GRY	C82			
GRY	C83			
GRY	C84			
GRY	C85			
GRY	C86			
GRY	C87			
GRY	C88			
GRY	C89			
GRY	C90			
GRY	C91			
GRY	C92			
GRY	C93			
GRY	C94			
GRY	C95			
GRY	C96			
GRY	C97			
GRY	C98			
GRY	C99			
GRY	C100			



V-200-AC

ITEM	PART NUMBER	REV.	DESCRIPTION	QTY.	MAT'L SPEC'S
<b>LIST OF MATERIAL</b>					
DRAWN A. MERCÉ		DATE 15.03.01		<p style="font-size: 24px; margin: 0;">SCHEMATIC DIAGRAM</p> <p style="font-size: 24px; margin: 0;">V-200-20/AC</p> <p style="font-size: 24px; margin: 0;">V-300-20/AC</p> <p style="font-size: 24px; margin: 0;">3PH 50Hz 12V; 24V</p> <p style="font-size: 18px; margin: 0;">SHEET 2 of 2</p>	
CHECKED M.J. NUS		DATE 05.09.01			
APPROVED LORENZO G		DATE 15.09.01			
THIS PRINT SUPERSEDES ANY OF EARLIER DATE. DESTROY SAME.					
SCALE			MATERIAL:		
FINISH:			DRAWING NUMBER 3B18445		
REV.			REV. A		



Ref. 3B18444

THIS DOCUMENT CONTAINS PROPRIETARY INFORMATION OF THE THERMO KING CORPORATION. IT IS TRANSMITTED TO YOU IN CONFIDENCE AND TRUST, AND IS TO BE RETURNED UPON REQUEST. ITS CONTENTS MAY NOT BE DISCLOSED IN WHOLE OR IN PART TO OTHERS OR USED FOR OTHER THAN THE PURPOSE FOR WHICH TRANSMITTED WITHOUT THE PRIOR WRITTEN PERMISSION OF THERMO KING CORPORATION.

- |  |  |   |
|--|--|---|
| <p>IDENT.</p> <p>A BLOCK<br/>B BLOCK<br/>C BLOCK<br/>D BLOCK<br/>E BLOCK<br/>F BLOCK</p> <p>1<br/>2<br/>3<br/>4<br/>5<br/>6<br/>7<br/>8<br/>9<br/>10<br/>11<br/>12<br/>13<br/>14<br/>15<br/>16<br/>17<br/>18</p> | <p>LEGEND</p> <p>A ELECTRONIC SWITCH<br/>B VOLTAGE SELECT<br/>C BROKER<br/>D RECTIFIER<br/>E ELECTRONIC SWITCH<br/>F OVALATOR<br/>G COMPRESSOR CLUTCH<br/>H COMPRESSOR MOTOR<br/>I COMPRESSOR MOTOR<br/>J COMPRESSOR MOTOR<br/>K COMPRESSOR MOTOR<br/>L COMPRESSOR MOTOR<br/>M COMPRESSOR MOTOR<br/>N COMPRESSOR MOTOR<br/>O COMPRESSOR MOTOR<br/>P COMPRESSOR MOTOR<br/>Q COMPRESSOR MOTOR<br/>R COMPRESSOR MOTOR<br/>S COMPRESSOR MOTOR<br/>T COMPRESSOR MOTOR<br/>U COMPRESSOR MOTOR<br/>V COMPRESSOR MOTOR<br/>W COMPRESSOR MOTOR<br/>X COMPRESSOR MOTOR<br/>Y COMPRESSOR MOTOR<br/>Z COMPRESSOR MOTOR</p> | <p>AREA</p> <p>1<br/>2<br/>3<br/>4<br/>5<br/>6<br/>7<br/>8<br/>9<br/>10<br/>11<br/>12<br/>13<br/>14<br/>15<br/>16<br/>17<br/>18</p> |
|--|--|---|