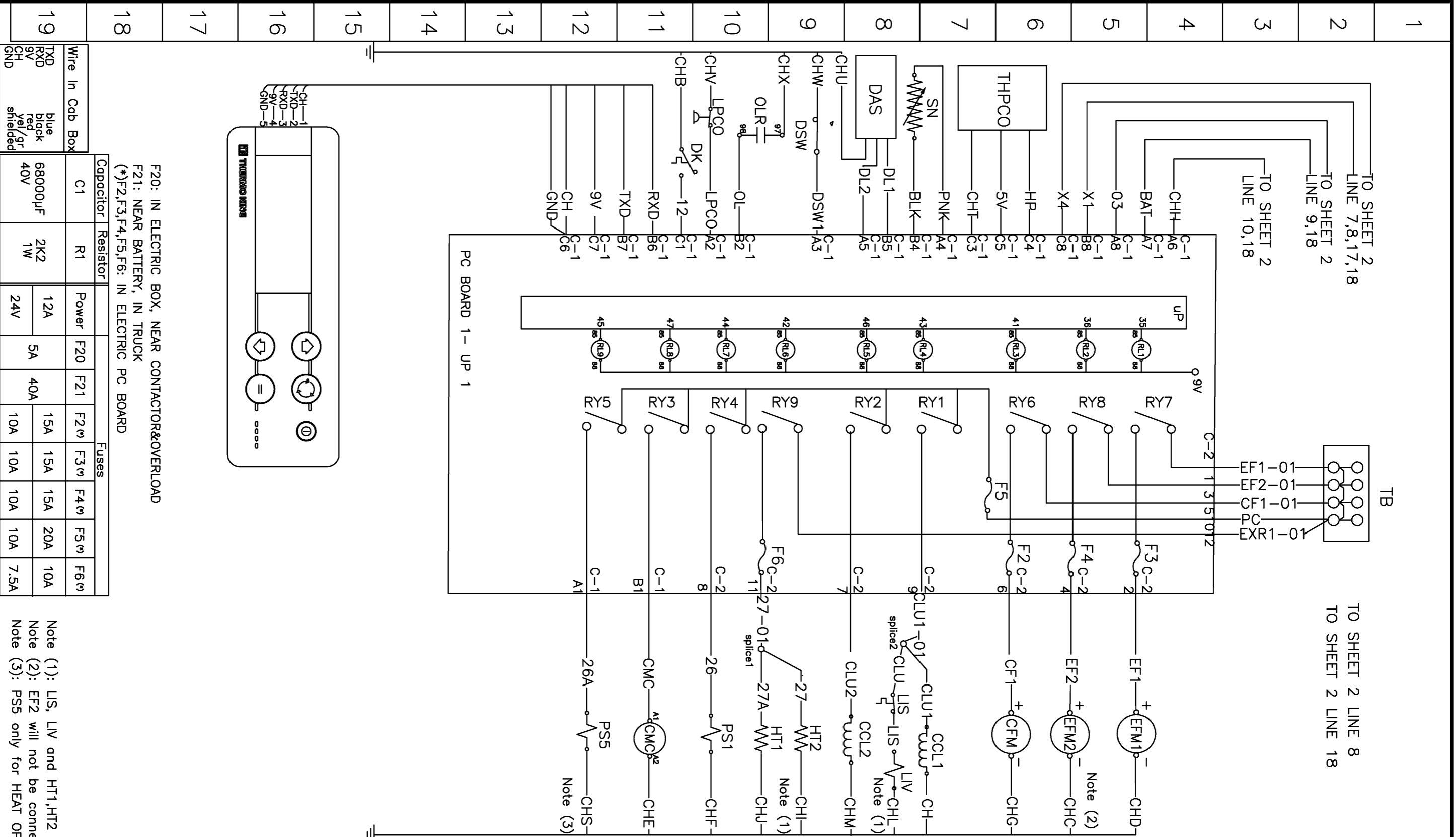


REVISIONS	
A	504030 20.11.03 MN
RELEASED	
B	507686 23-Sep-04 MN JUNE
CHANGE VALUE OF F20 (WAS 4A)	



F20: IN ELECTRIC BOX, NEAR CONTACTOR&OVERLOAD  
 F21: NEAR BATTERY, IN TRUCK  
 (\*)F2,F3,F4,F5,F6: IN ELECTRIC PC BOARD

Capacitor	Resistor	Power	F20	F21	F22	F3	F4	F5	F6
C1	R1	12A	5A	40A	15A	15A	15A	20A	10A
68000µF	2K2	24V	10A	10A	10A	10A	10A	10A	7.5A

Note (1): LIS, LIV and HT1,HT2 only for MAX units.  
 Note (2): EF2 will not be connected for MULTITEMPERATURE units.  
 Note (3): PSS only for HEAT OPTION.

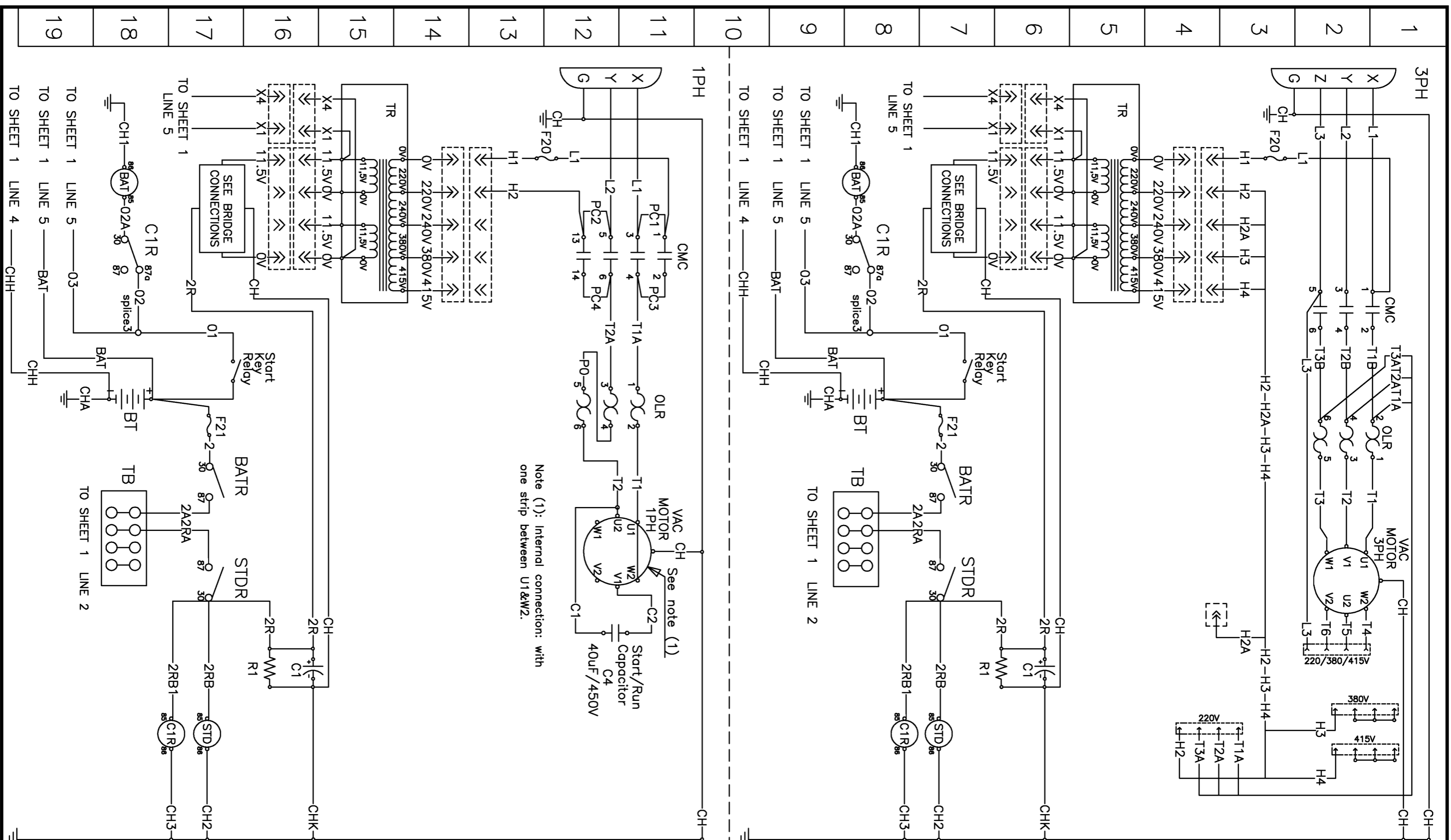
ITEM	PART NUMBER	REV.	DESCRIPTION	QTY.	MAT'L SPEC'S
<b>LIST OF MATERIAL</b>					
DRAWN M.J.Nus		DATE 20_Nov_03		<div style="display: flex; justify-content: space-between;"> <div style="text-align: center;"> <p>DIAGRAM SCHEMATIC</p> <p>V-200/300/MAX-20/50</p> <p>SINGLE TEMP</p> <p>3PH/1PH 50Hz 12V/24V</p> <p>SHEET 1 OF 2</p> </div> <div style="text-align: right;"> <p>Ref. 1E21667</p> </div> </div>	
CHECKED Lorenzo G.		DATE 02_Feb_04			
APPROVED M.J.Nus		DATE 02_Feb_04			
THIS PRINT SUPERSEDES ANY OF EARLIER DATE. DESTROY SAME.					
DRAWN		SCALE		MATERIAL:	
CHECKED		SCALE		FINISH:	
APPROVED		SCALE		FINISH:	

IDENT.	LEGEND	AREA
CG1,1	COMPRESSOR CLUTCH	7.8
CG2	COMPRESSOR CLUTCH	8.9
CFM	CONDENSER FAN MOTOR	6.7
DAS	DATA LOGGER	8
DK	DEROST TEMP. THERM.	11
DSW	DOOR SWITCH	9
EM1	EVAPORATOR FAN MOTOR	5
EM2	EVAPORATOR FAN MOTOR	5,10
HT1	HEATERS 1	8,10
HT2	HEATERS 2	8,10
LIS	LIQUID INJECTION SWITCH	8
LIV	LIQUID INJECTION VALVE	8
LPCO	LOW PRESSURE	10
PS1	OUTPUT SWITCH	10,11
PS5	HOT DEROST HOT GAS SOLENOID VALVE	12
THPCO	HEAT PILOT SOLENOID SENSOR	7.8
TB	TERMINAL BOARD	6.7

FUSES:	RELAYS:
F2	RY7
F3	RY8
F4	RY6
F5	RY1
F6	RY2
F20	RY3
F21	RY4
	RY5
	RY9

ELECTRONIC SYSTEM:
UP1
DISPLAY

WIRE IN CAB BOX	WIRE IN ELECTRIC BOX
TXD 9V	blue
RXD 9V	black
CH 9V	red
GND	yel/gr shielded



Note (1): Internal connection: with one strip between U1&W2.

ITEM	PART NUMBER	REV.	DESCRIPTION	QTY.	MAT'L SPEC'S
<b>LIST OF MATERIAL</b>					
DRAWN M.J.Nus			DATE 20_Nov_03	 <b>DIAGRAM SCHEMATIC</b> <b>V-200/300/MAX-20/50</b> <b>SINGLE TEMP</b> <b>3PH/1PH 50Hz 12V/24V</b> SHEET <u>2</u> OF <u>2</u>	
CHECKED Lorenzo G.			DATE 02_Feb_04		
APPROVED M.J.Nus			DATE 02_Feb_04		
THIS PRINT SUPERSEDES ANY OF EARLIER DATE. DESTROY SAME.			SCALE		
MATERIAL:		FINISH:		DRAWING NUMBER <b>1E21668</b>	
				REV. <b>B</b>	

IDENT	LEGEND	AREA	
BR	BRIDGE RECTIFIER	7.17	
F1	BATTERY FUSE	6.16	
C1	CONDENSER	6.16	
CMC	COMPRESSOR MOTOR	1.11	
OLR	OVERLOAD RELAY	1.11	
R1	RESISTOR BOARD	6.16	
TB	TERMINAL BOARD	6.16	
TR	TRANSFORMER 1PH/3PH 50HZ	5.15	
FUSES:	TRANSFORMER FUSE	2.3,12,13	
F20	GENERAL FUSE	7.17	
RELAYS:	BATTERY RELAY	7.8,17,18	
BATR	STANDBY RELAY	7.17	
C1R	SWITCH RELAY	8	
ELECTRONIC SYSTEM:	CONTROLLER PLATFORM	1 sheet 1	
UP1	DISPLAY	IN CAB BOX	sheet 1

BRIDGE CONNECTIONS:

