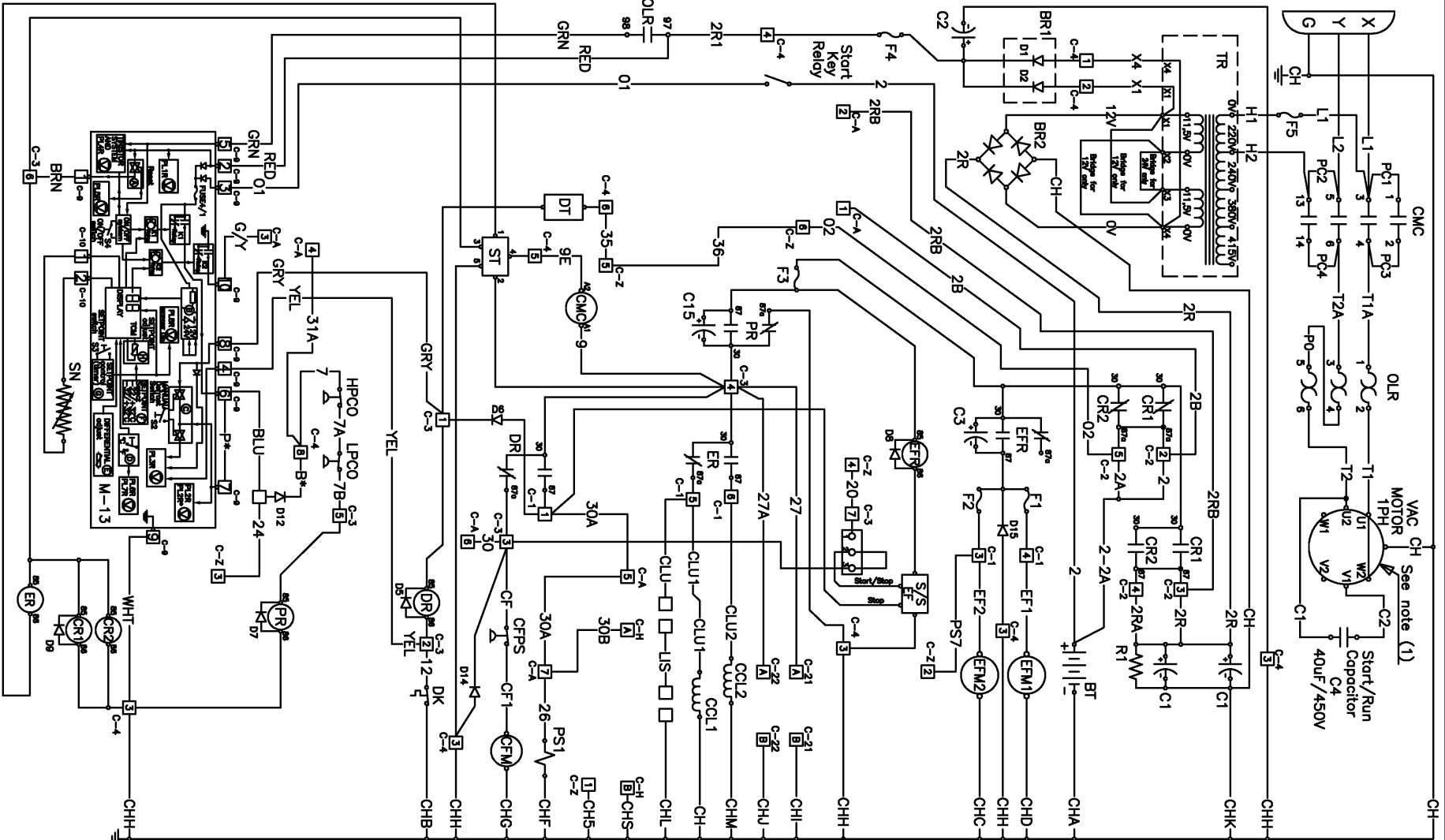


REVISIONS

A/ 79837/ 15.03.01

RELEASED

18 17 16 15 14 13 12 11 10 9 8 7 6 5 4 3 2 1



Wire Color	Capacitor	Resistor	Fuses	Diodes
RED	C1	R1	F1, F2, F3, F4, F5, F6	D1, D2, D3, D4, D5, D6, D7, D8, D9, D10, D11, D12, D13, D14, D15
YELLOW	C2			
GREEN				
PURPLE				
GRY				
WHT				
BLK				
PK				
CR				

NON PRINTED CIRCUIT BOARD or CAB BOX.

NOTES - (1) Internal connection: WITH ONE STRIP BETWEEN U1 & W2.

V-200-20

ITEM	PART NUMBER	REV.	DESCRIPTION	QTY.	MAT'L SPEC'S
LIST OF MATERIAL					
DRAWN: A. MERCER 15.03.01					
CHECKED: M.J. NUS 05.09.01					
APPROVED: LORENZO G 14.09.01					
THIS PRINT SUPERSEDES ANY OF EARLIER DATE. DESTROY SAME.					
SCALE			SHEET 1 OF 2		
MATERIAL:			FINISH:		
SCHEMATIC DIAGRAM V-200-20/AC V-300-20/AC 1PH 50Hz 12V; 24V W/ STARTING TIMER					
DRAWING NUMBER: 3B18443					REV: A

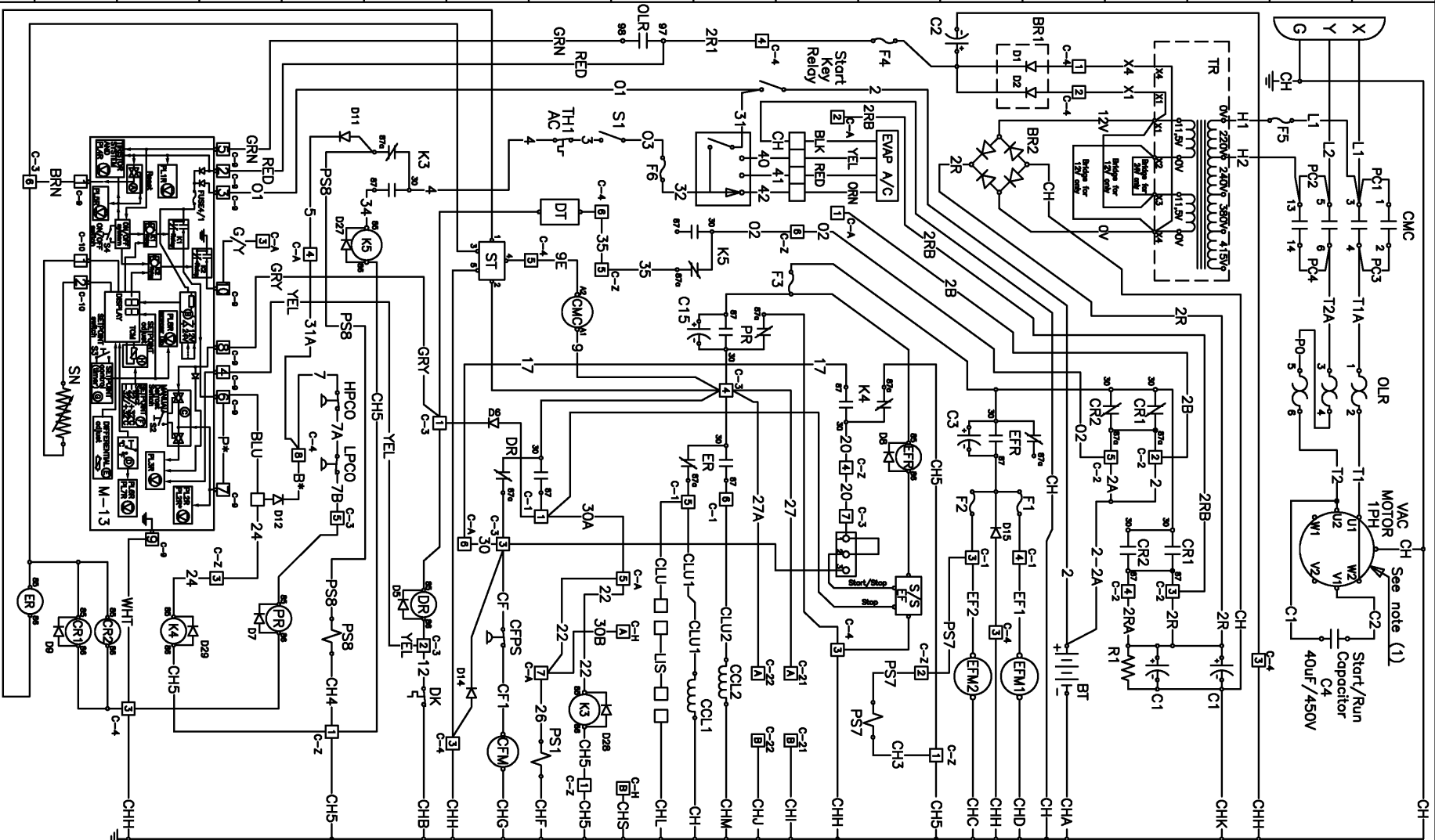


Ref. 3B18442

THIS DOCUMENT CONTAINS PROPRIETARY INFORMATION OF THE THERMO KING CORPORATION. IT IS TRANSMITTED TO YOU IN CONFIDENCE AND TRUST, AND IS TO BE RETURNED UPON REQUEST. ITS CONTENTS MAY NOT BE DISCLOSED IN WHOLE OR IN PART TO OTHERS OR USED FOR OTHER THAN THE PURPOSE FOR WHICH TRANSMITTED WITHOUT THE PRIOR WRITTEN PERMISSION OF THERMO KING CORPORATION.

- IDENT.**
- A BLOCK ELECTRONG SWITCH
 - B BLOCK BRIDGE RECTIFIER
 - BR1 BR2 BR3 BR4 BR5 BR6 BR7 BR8 BR9 BR10 BR11 BR12 BR13 BR14 BR15 BR16 BR17 BR18 BR19 BR20 BR21 BR22 BR23 BR24 BR25 BR26 BR27 BR28 BR29 BR30 BR31 BR32 BR33 BR34 BR35 BR36 BR37 BR38 BR39 BR40 BR41 BR42 BR43 BR44 BR45 BR46 BR47 BR48 BR49 BR50 BR51 BR52 BR53 BR54 BR55 BR56 BR57 BR58 BR59 BR60 BR61 BR62 BR63 BR64 BR65 BR66 BR67 BR68 BR69 BR70 BR71 BR72 BR73 BR74 BR75 BR76 BR77 BR78 BR79 BR80 BR81 BR82 BR83 BR84 BR85 BR86 BR87 BR88 BR89 BR90 BR91 BR92 BR93 BR94 BR95 BR96 BR97 BR98 BR99 BR100 BR101 BR102 BR103 BR104 BR105 BR106 BR107 BR108 BR109 BR110 BR111 BR112 BR113 BR114 BR115 BR116 BR117 BR118 BR119 BR120 BR121 BR122 BR123 BR124 BR125 BR126 BR127 BR128 BR129 BR130 BR131 BR132 BR133 BR134 BR135 BR136 BR137 BR138 BR139 BR140 BR141 BR142 BR143 BR144 BR145 BR146 BR147 BR148 BR149 BR150 BR151 BR152 BR153 BR154 BR155 BR156 BR157 BR158 BR159 BR160 BR161 BR162 BR163 BR164 BR165 BR166 BR167 BR168 BR169 BR170 BR171 BR172 BR173 BR174 BR175 BR176 BR177 BR178 BR179 BR180 BR181 BR182 BR183 BR184 BR185 BR186 BR187 BR188 BR189 BR190 BR191 BR192 BR193 BR194 BR195 BR196 BR197 BR198 BR199 BR200 BR201 BR202 BR203 BR204 BR205 BR206 BR207 BR208 BR209 BR210 BR211 BR212 BR213 BR214 BR215 BR216 BR217 BR218 BR219 BR220 BR221 BR222 BR223 BR224 BR225 BR226 BR227 BR228 BR229 BR230 BR231 BR232 BR233 BR234 BR235 BR236 BR237 BR238 BR239 BR240 BR241 BR242 BR243 BR244 BR245 BR246 BR247 BR248 BR249 BR250 BR251 BR252 BR253 BR254 BR255 BR256 BR257 BR258 BR259 BR260 BR261 BR262 BR263 BR264 BR265 BR266 BR267 BR268 BR269 BR270 BR271 BR272 BR273 BR274 BR275 BR276 BR277 BR278 BR279 BR280 BR281 BR282 BR283 BR284 BR285 BR286 BR287 BR288 BR289 BR290 BR291 BR292 BR293 BR294 BR295 BR296 BR297 BR298 BR299 BR300 BR301 BR302 BR303 BR304 BR305 BR306 BR307 BR308 BR309 BR310 BR311 BR312 BR313 BR314 BR315 BR316 BR317 BR318 BR319 BR320 BR321 BR322 BR323 BR324 BR325 BR326 BR327 BR328 BR329 BR330 BR331 BR332 BR333 BR334 BR335 BR336 BR337 BR338 BR339 BR340 BR341 BR342 BR343 BR344 BR345 BR346 BR347 BR348 BR349 BR350 BR351 BR352 BR353 BR354 BR355 BR356 BR357 BR358 BR359 BR360 BR361 BR362 BR363 BR364 BR365 BR366 BR367 BR368 BR369 BR370 BR371 BR372 BR373 BR374 BR375 BR376 BR377 BR378 BR379 BR380 BR381 BR382 BR383 BR384 BR385 BR386 BR387 BR388 BR389 BR390 BR391 BR392 BR393 BR394 BR395 BR396 BR397 BR398 BR399 BR400 BR401 BR402 BR403 BR404 BR405 BR406 BR407 BR408 BR409 BR410 BR411 BR412 BR413 BR414 BR415 BR416 BR417 BR418 BR419 BR420 BR421 BR422 BR423 BR424 BR425 BR426 BR427 BR428 BR429 BR430 BR431 BR432 BR433 BR434 BR435 BR436 BR437 BR438 BR439 BR440 BR441 BR442 BR443 BR444 BR445 BR446 BR447 BR448 BR449 BR450 BR451 BR452 BR453 BR454 BR455 BR456 BR457 BR458 BR459 BR460 BR461 BR462 BR463 BR464 BR465 BR466 BR467 BR468 BR469 BR470 BR471 BR472 BR473 BR474 BR475 BR476 BR477 BR478 BR479 BR480 BR481 BR482 BR483 BR484 BR485 BR486 BR487 BR488 BR489 BR490 BR491 BR492 BR493 BR494 BR495 BR496 BR497 BR498 BR499 BR500 BR501 BR502 BR503 BR504 BR505 BR506 BR507 BR508 BR509 BR510 BR511 BR512 BR513 BR514 BR515 BR516 BR517 BR518 BR519 BR520 BR521 BR522 BR523 BR524 BR525 BR526 BR527 BR528 BR529 BR530 BR531 BR532 BR533 BR534 BR535 BR536 BR537 BR538 BR539 BR540 BR541 BR542 BR543 BR544 BR545 BR546 BR547 BR548 BR549 BR550 BR551 BR552 BR553 BR554 BR555 BR556 BR557 BR558 BR559 BR560 BR561 BR562 BR563 BR564 BR565 BR566 BR567 BR568 BR569 BR570 BR571 BR572 BR573 BR574 BR575 BR576 BR577 BR578 BR579 BR580 BR581 BR582 BR583 BR584 BR585 BR586 BR587 BR588 BR589 BR590 BR591 BR592 BR593 BR594 BR595 BR596 BR597 BR598 BR599 BR600 BR601 BR602 BR603 BR604 BR605 BR606 BR607 BR608 BR609 BR610 BR611 BR612 BR613 BR614 BR615 BR616 BR617 BR618 BR619 BR620 BR621 BR622 BR623 BR624 BR625 BR626 BR627 BR628 BR629 BR630 BR631 BR632 BR633 BR634 BR635 BR636 BR637 BR638 BR639 BR640 BR641 BR642 BR643 BR644 BR645 BR646 BR647 BR648 BR649 BR650 BR651 BR652 BR653 BR654 BR655 BR656 BR657 BR658 BR659 BR660 BR661 BR662 BR663 BR664 BR665 BR666 BR667 BR668 BR669 BR670 BR671 BR672 BR673 BR674 BR675 BR676 BR677 BR678 BR679 BR680 BR681 BR682 BR683 BR684 BR685 BR686 BR687 BR688 BR689 BR690 BR691 BR692 BR693 BR694 BR695 BR696 BR697 BR698 BR699 BR700 BR701 BR702 BR703 BR704 BR705 BR706 BR707 BR708 BR709 BR710 BR711 BR712 BR713 BR714 BR715 BR716 BR717 BR718 BR719 BR720 BR721 BR722 BR723 BR724 BR725 BR726 BR727 BR728 BR729 BR730 BR731 BR732 BR733 BR734 BR735 BR736 BR737 BR738 BR739 BR740 BR741 BR742 BR743 BR744 BR745 BR746 BR747 BR748 BR749 BR750 BR751 BR752 BR753 BR754 BR755 BR756 BR757 BR758 BR759 BR760 BR761 BR762 BR763 BR764 BR765 BR766 BR767 BR768 BR769 BR770 BR771 BR772 BR773 BR774 BR775 BR776 BR777 BR778 BR779 BR780 BR781 BR782 BR783 BR784 BR785 BR786 BR787 BR788 BR789 BR790 BR791 BR792 BR793 BR794 BR795 BR796 BR797 BR798 BR799 BR800 BR801 BR802 BR803 BR804 BR805 BR806 BR807 BR808 BR809 BR810 BR811 BR812 BR813 BR814 BR815 BR816 BR817 BR818 BR819 BR820 BR821 BR822 BR823 BR824 BR825 BR826 BR827 BR828 BR829 BR830 BR831 BR832 BR833 BR834 BR835 BR836 BR837 BR838 BR839 BR840 BR841 BR842 BR843 BR844 BR845 BR846 BR847 BR848 BR849 BR850 BR851 BR852 BR853 BR854 BR855 BR856 BR857 BR858 BR859 BR860 BR861 BR862 BR863 BR864 BR865 BR866 BR867 BR868 BR869 BR870 BR871 BR872 BR873 BR874 BR875 BR876 BR877 BR878 BR879 BR880 BR881 BR882 BR883 BR884 BR885 BR886 BR887 BR888 BR889 BR890 BR891 BR892 BR893 BR894 BR895 BR896 BR897 BR898 BR899 BR900 BR901 BR902 BR903 BR904 BR905 BR906 BR907 BR908 BR909 BR910 BR911 BR912 BR913 BR914 BR915 BR916 BR917 BR918 BR919 BR920 BR921 BR922 BR923 BR924 BR925 BR926 BR927 BR928 BR929 BR930 BR931 BR932 BR933 BR934 BR935 BR936 BR937 BR938 BR939 BR940 BR941 BR942 BR943 BR944 BR945 BR946 BR947 BR948 BR949 BR950 BR951 BR952 BR953 BR954 BR955 BR956 BR957 BR958 BR959 BR960 BR961 BR962 BR963 BR964 BR965 BR966 BR967 BR968 BR969 BR970 BR971 BR972 BR973 BR974 BR975 BR976 BR977 BR978 BR979 BR980 BR981 BR982 BR983 BR984 BR985 BR986 BR987 BR988 BR989 BR990 BR991 BR992 BR993 BR994 BR995 BR996 BR997 BR998 BR999 BR1000

18
17
16
15
14
13
12
11
10
9
8
7
6
5
4
3
2
1



Wire Color	Capacitor	Resistor	Fuse	Diode
Orange	C1	R1	F10	D10
Red	C2	R2	F2	D11
Yellow	C3	R3	F3	D12
Green	C4	R4	F4	D13
Blue	C5	R5	F5	D14
Purple	C6	R6	F6	D15
Grey	C7	R7	F7	D16
White	C8	R8	F8	D17
Black	C9	R9	F9	D18
Pink	C10	R10	F10	D19

NON PRINTED CIRCUIT BOARD or CAB BOARD.

Power	Capacitor	Resistor	Fuse	Diode
12V	2200uF	2K2	3A	1A
230V	47uF	15A	25A	5A
35V	100V	10A	20A	3A
24V	47uF	10A	3A	3A
40V	100V	10A	3A	3A

V-200-AC

NOTES.- (1) Internal connection:
 WITH ONE STRIP BETWEEN U1 & W2.

ITEM	PART NUMBER	REV.	DESCRIPTION	QTY.	MAT'L SPEC'S
LIST OF MATERIAL					
DRAWN: A. MERCE DATE: 15.03.01					
CHECKED: M.J. NUS DATE: 05.09.01					
APPROVED: LORENZO G DATE: 14.09.01					
THIS PRINT SUPERSEDES ANY OF EARLIER DATE. DESTROY SAME.					
SCHEMATIC DIAGRAM					
V-200-20/AC					
V-300-20/AC					
1PH 50Hz 12V; 24V					
W/ STARTING TIMER SHEET 2 of 2					
MATERIAL:					
FINISH:					

THERMO KING
REFRIGERATION

Ref. 3B18442

DRAWING NUMBER	REV.
3B18443	A

THIS DOCUMENT CONTAINS PROPRIETARY INFORMATION OF THE THERMO KING CORPORATION. IT IS TRANSMITTED TO YOU IN CONFIDENCE AND TRUST, AND IS TO BE RETURNED UPON REQUEST. ITS CONTENTS MAY NOT BE DISCLOSED IN WHOLE OR IN PART TO OTHERS OR USED FOR OTHER THAN THE PURPOSE FOR WHICH TRANSMITTED WITHOUT THE PRIOR WRITTEN PERMISSION OF THERMO KING CORPORATION.