

1	2	3	4	5	6	7	8	9	10	11	12	13	14	15	16	17	18
---	---	---	---	---	---	---	---	---	----	----	----	----	----	----	----	----	----

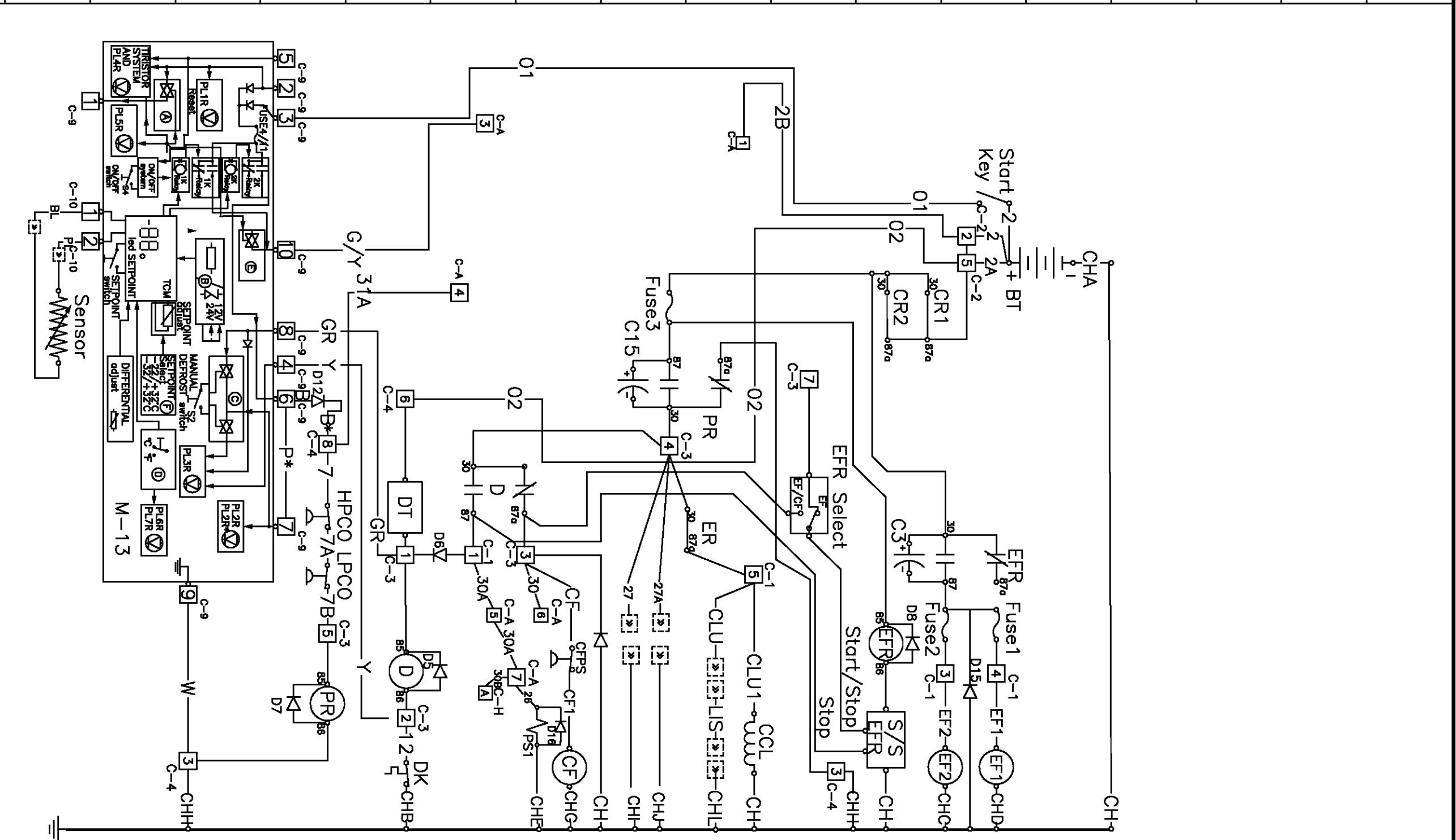
REVISIONS	
A	2112 29/11/99 AS
B	77791 12/07/00 AS
C	78993 17/01/01 MN

CHANGE CONNECTION HEADERS WAS C-1/1. ADD CONNECTOR C-A (WITH WIRE 30A) & C-11

UPDATE DRAWING: ADD CABLES L/S, CLU, CHL 30 & SENSOR. DELETE FUSE 7.

Wire Cab Box	Power	Capacitor	Fuse	Fuse	Fuse	Fuse	Diodes
BR			1	2	3	4/1	
Y							
R							
G	12V	C3/C15	15A	15A	25A		
B			10A	10A	20A		
P	24V					3A	D12:1A
W/O1							
GR							
G/Y							
PL							
BL							

(M) ON PRINTED CIRCUIT BOARD
(M) ON PRINTED CIRCUIT BOARD CAB BOX



ITEM	PART NUMBER	REV.	DESCRIPTION	QTY.	MAT'L SPEC'S
LIST OF MATERIAL					
DRAWN	MJ NUS	DATE	22.11.99	<p>Ref. 1B21232</p> <p>DRAWING NUMBER: 1B21233 REV. C</p>	
CHECKED	A.SENDINO	DATE	29/11/99		
APPROVED	MANEL R.	DATE	29/11/99		
THIS PRINT SUPERSEDES ANY OF EARLIER DATE. DESTROY SAME.			SCALE		
				FINISH:	
THIS DOCUMENT CONTAINS PROPRIETARY INFORMATION OF THE THERMO KING CORPORATION. IT IS TRANSMITTED TO YOU IN CONFIDENCE AND TRUST, AND IS TO BE RETURNED UPON REQUEST. ITS CONTENTS MAY NOT BE DISCLOSED IN WHOLE OR IN PART TO OTHERS OR USED FOR OTHER THAN THE PURPOSE FOR WHICH TRANSMITTED WITHOUT THE PRIOR WRITTEN PERMISSION OF THERMO KING CORPORATION.					

IDENT.	LEGEND	AREA
A BLOCK	ELECTRONIC SWITCH	18
B BLOCK	VOLTAGE SELECT	15
BT	BATTERY	5,6
C BLOCK	ELECTRONIC SWITCH	15
C15	CAPACITOR	7
OC1	COMPRESSOR CLUTCH	10
CF	CONDENSER FAN	9,10
CFPS	CONDENSER FAN MOTOR	11
D	PRESSURE SWITCH	11
D BLOCK	9C, 9F SWITCH	16
DT	DEFROST RELAY	12,13
DK	DEFROST TEMP. THERMOSTAT	13
DIODES PROTECTION:		
-D8,D15		6,10
-D5,D6,D14,D16		11,12,13
-D7		14
E1	EVAPORATOR FAN MOTOR	6
EF1	EVAPORATOR FAN RELAY	5,7
EF2	EVAPORATOR FAN RELAY	7,8
FUSE	CURRENT LIMITER:	10,11,16
-1		8
-2		8,7
-3		10
-4		15
-4.1		15
HPCO	HIGH PRESSURE CUTOUT SWITCH	14
1K,2K	THERMOSTAT RELAY	15
LPCO	LOW PRESSURE CUTOUT SWITCH	14
M-13	CAB CONTROL BOX PRINT CIRCUIT BOARD	15,16
PCB	PILOT LIGHTS:	15,17
PL	-1R DEFROST LED	15
	-2R,2P ON LED	15
	-3R POWER CORD LED	15
	-4R OVERLOAD LED	16
	-5R ON MEMBRANE SWITCH LED	16
	-6R 9C LED	16
	-7R 9F LED	16
PR	POWER RELAY	9,14
PS1	PILOT SOLENOID	12
S2	MANUAL DEFROST MEMBRANE SWITCH	15
S4	ON-OFF MEMBRANE SW.	18
S/S-ERR	START/STOP EWP FAN RELAY	7
TCM	TEMPERATURE CONTROL MODULE:	16
	-DIFFERENTIAL ADJUST	16
	-SETPOINT ADJUST	15
	-SETPOINT LED	16