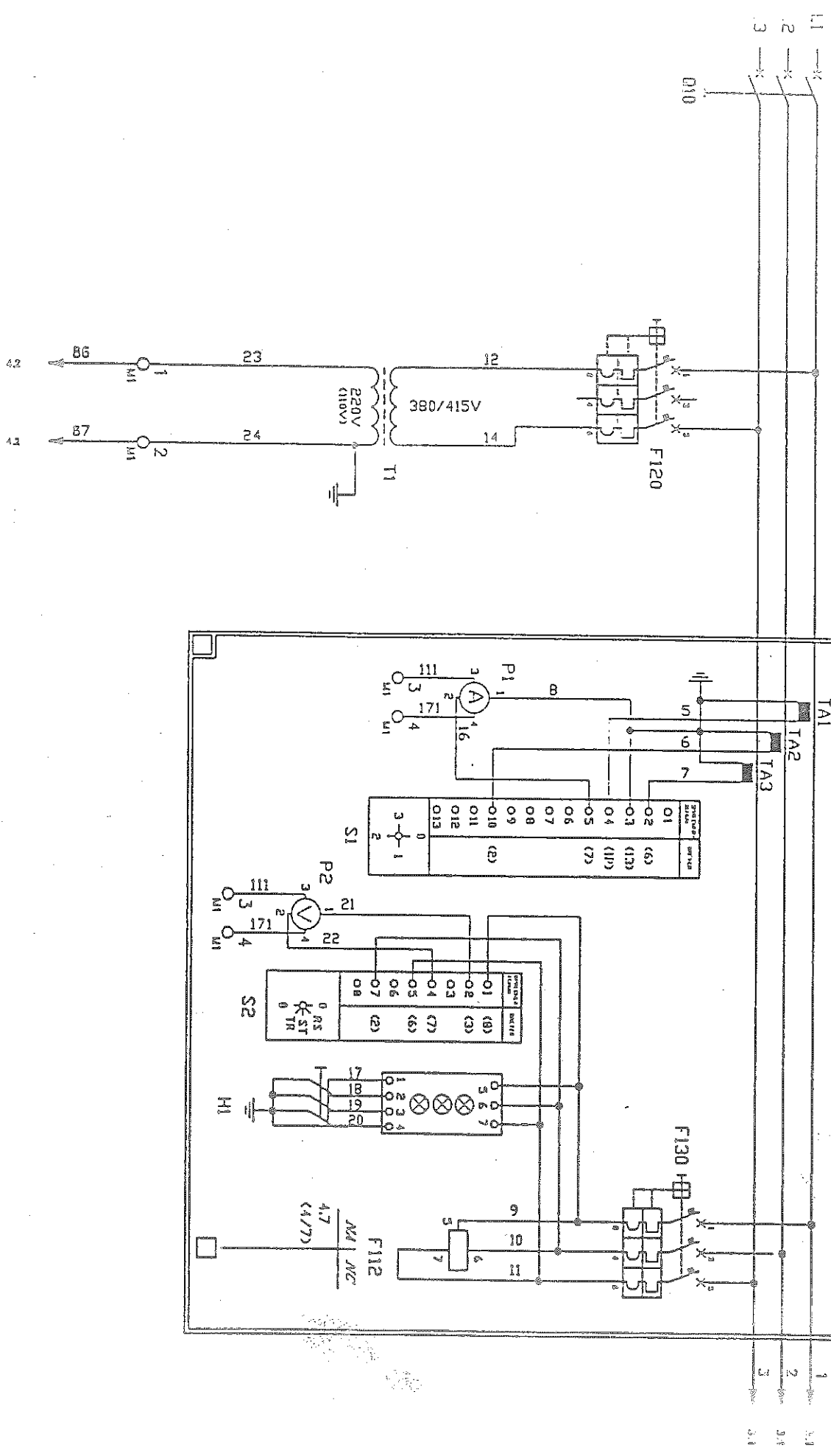
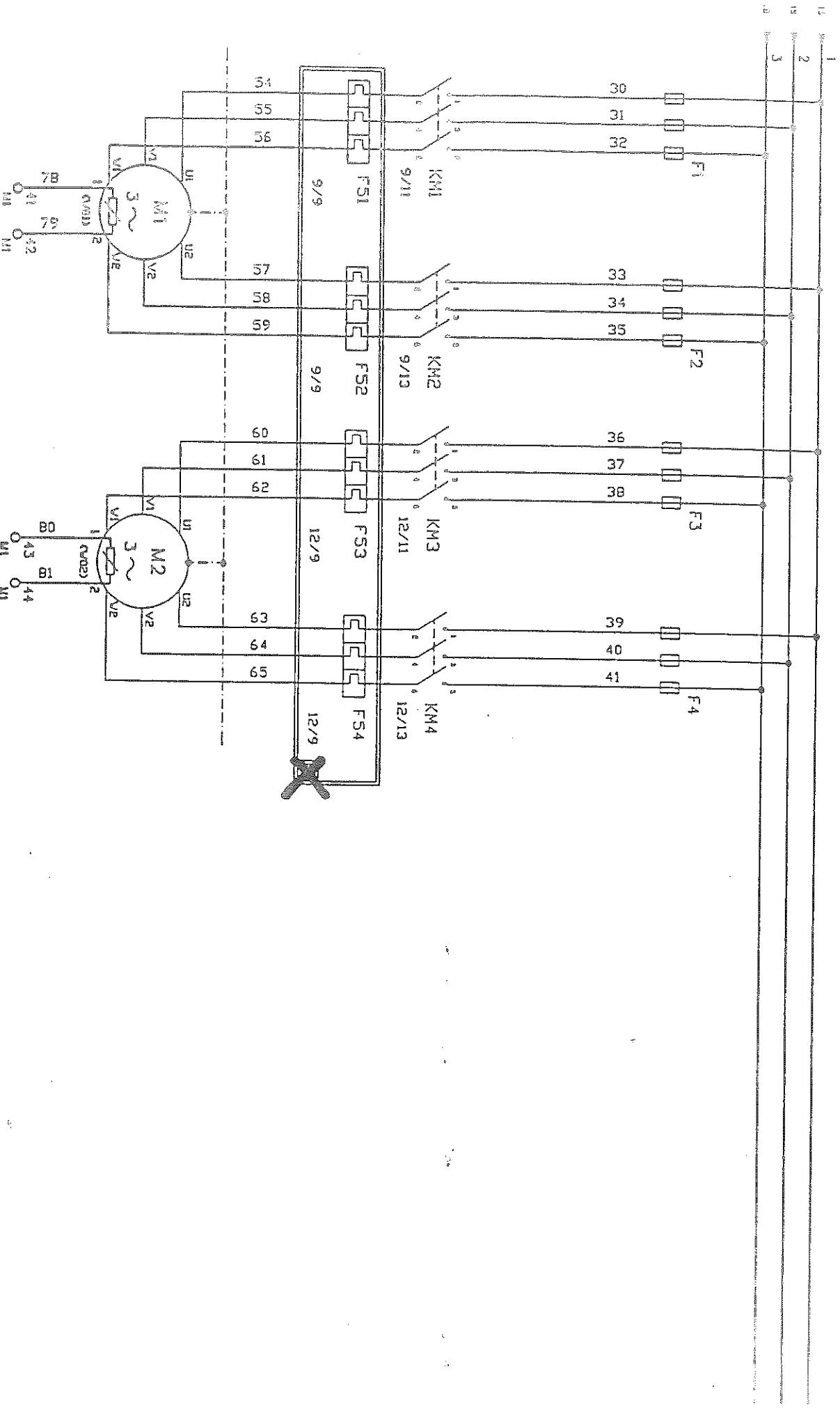


97-1-029

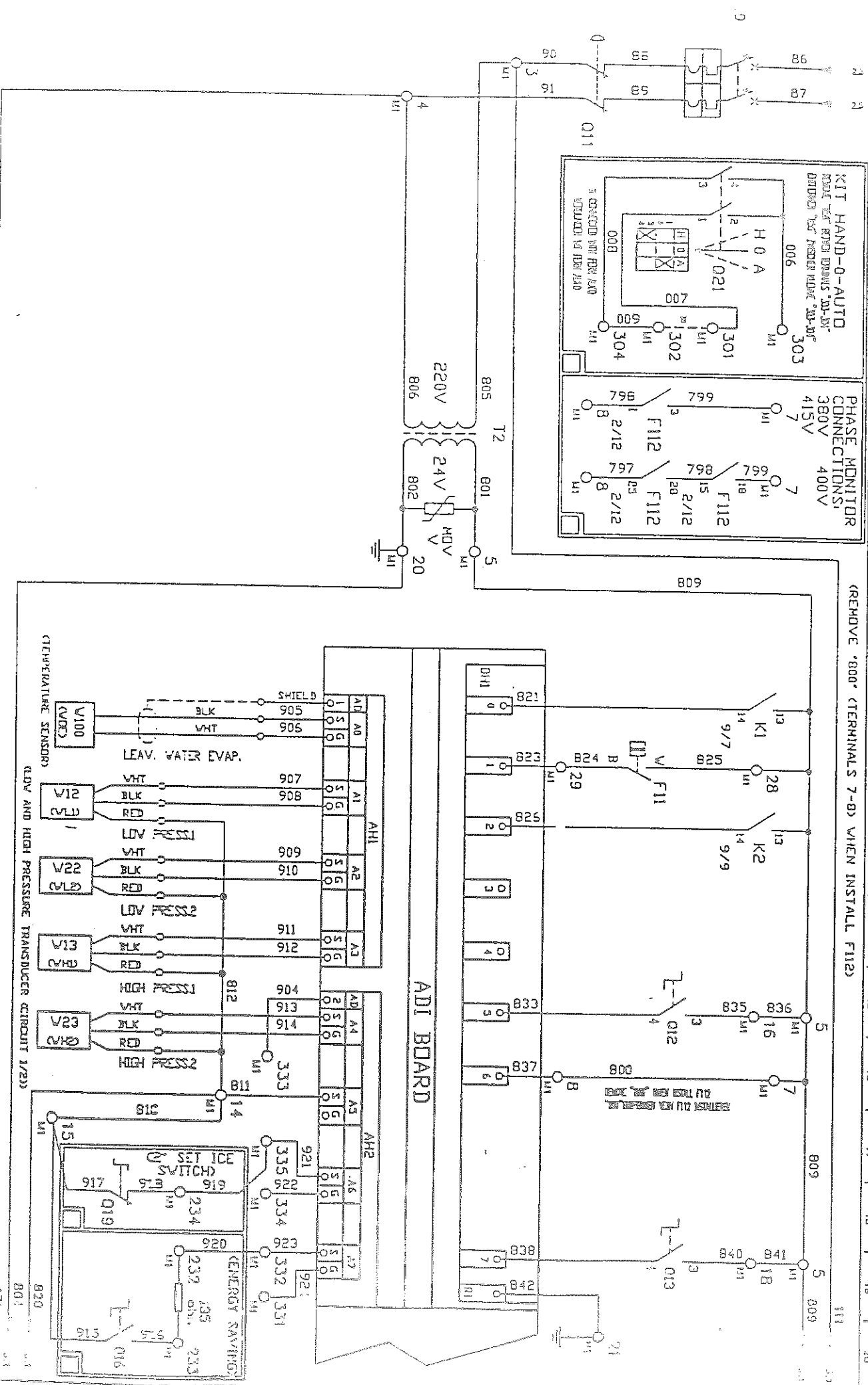


1 2 3 4 5 6 7 8 9 10 11 12 13 14 15 16 17 18 19 20

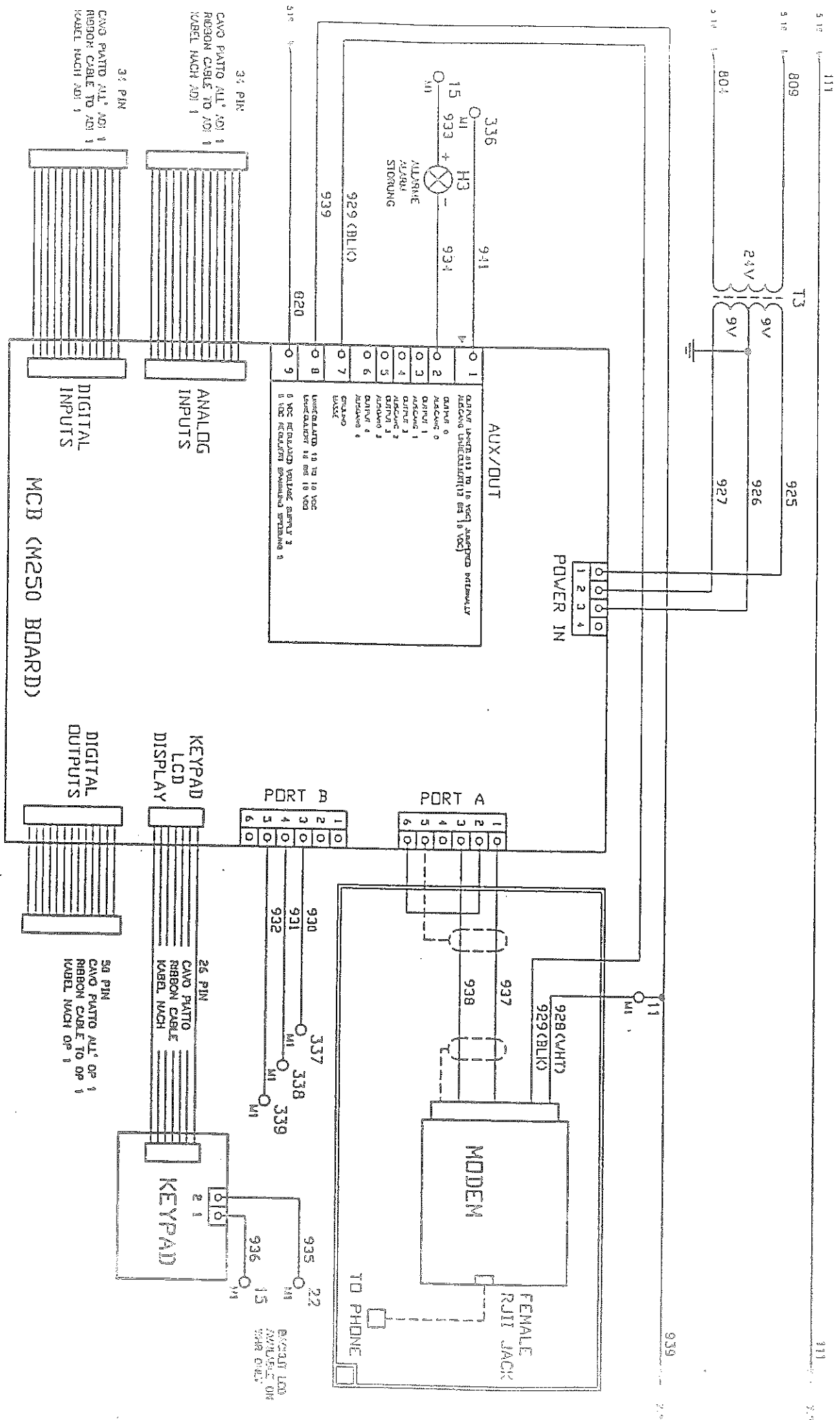


1 2 3 4 5 6 7 8 9 10 11 12 13 14 15 16 17 18 19 20

97-1-029



97-1-029



171 171

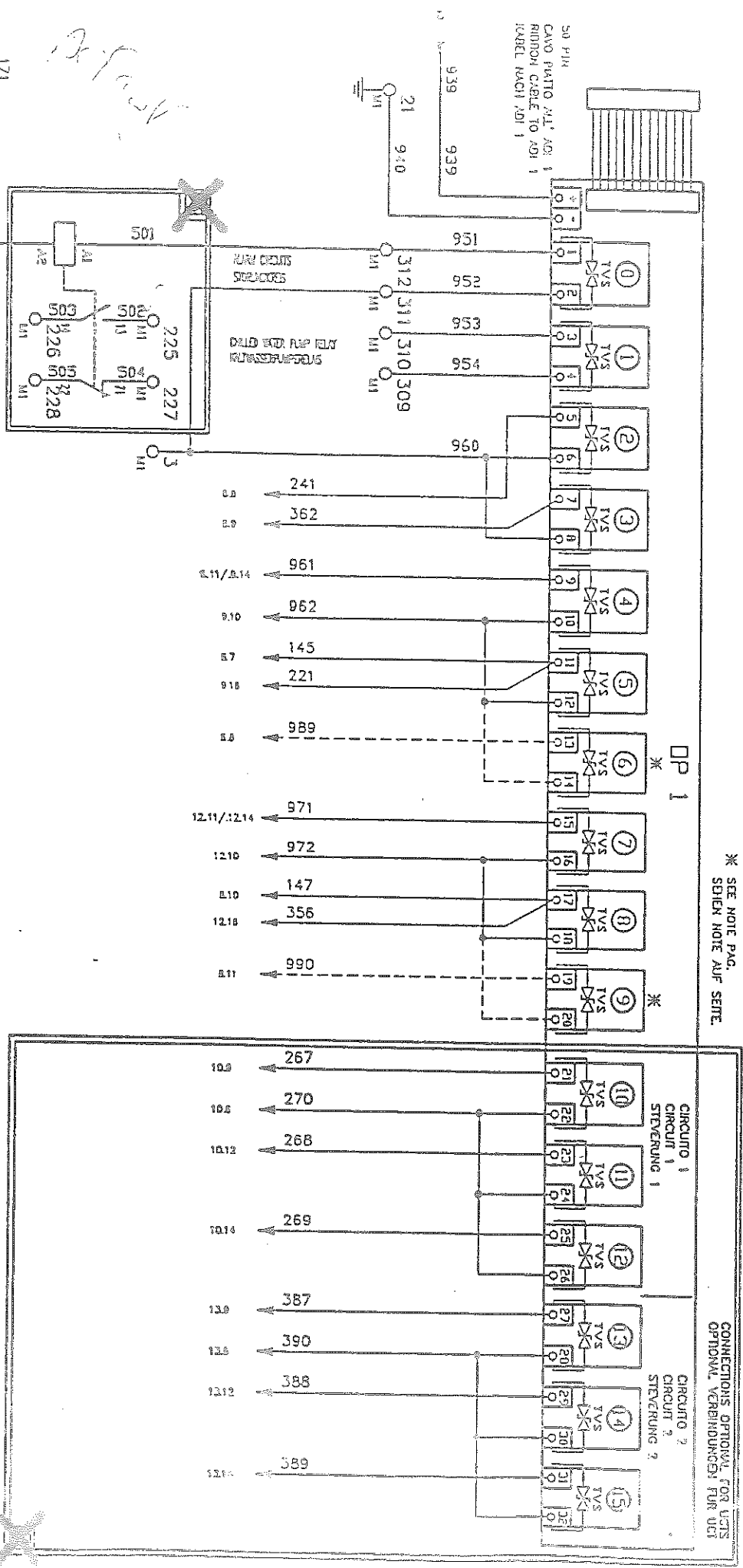
DESCRIPTION: SCHEMA USCHE MICRITICH
 DESCRIPTION: OUTPUT BOARD MICRITICH
 BESCHREIBUNG: AUSGANGS MICROPRZESSORIKA

CONFIDENTIAL
 REFERENT:
 AUTFRAG:

97-1-029

N.: 170943
 REV.: 2
 NEXT IS:
 SERIAL: 8
 P.G.: 7

111



7/5
 7/5

REMOVE WIRES '221-356'
 AND INSTALL WIRES '145-147'
 FOR PWS

REMOVE WIRES '145-147'
 AND INSTALL WIRES '221-356'
 FOR 2 SPEED

1 2 3 4 5 6 7 8 9 10 11 12 13 14 15 16 17 18 19 20

97-1-029

N.: 170943

REV.: 2

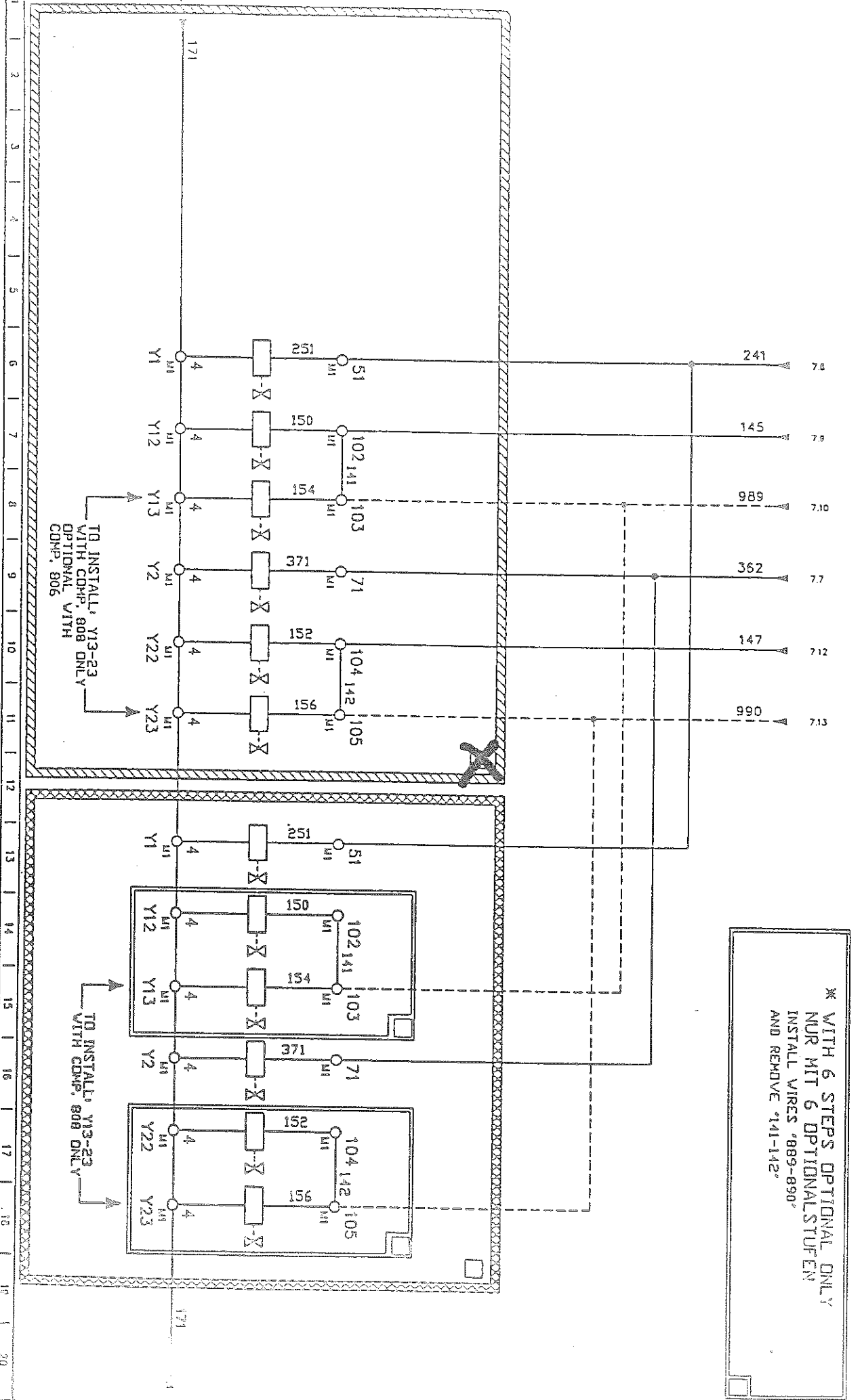
MEY 15 19

SEC 1 9

P. 0 : 0

111

111

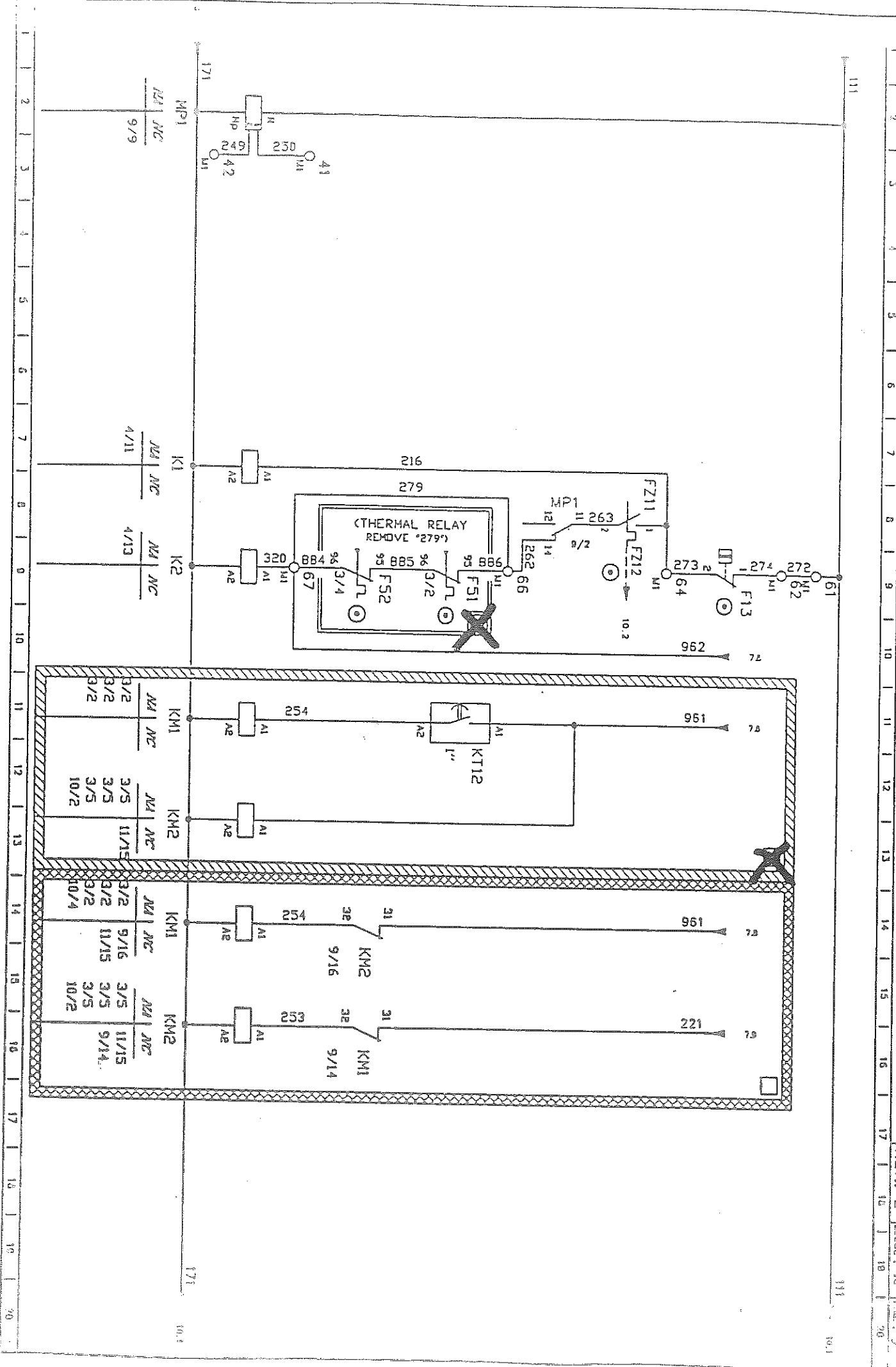


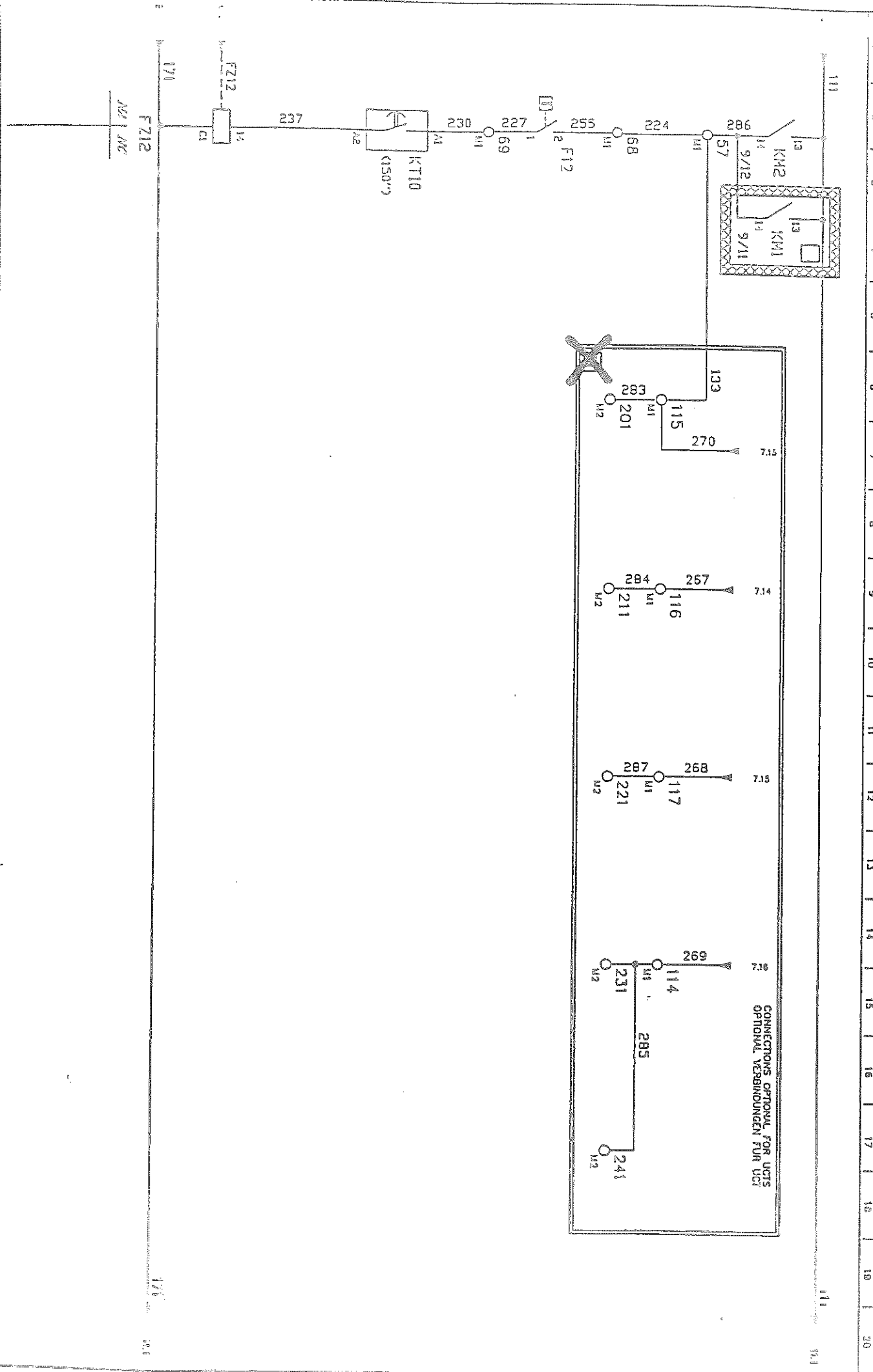
3 4 5 6 7 8 9 10 11 12 13 14 15 16 17 18 19 20

97-1-029

N.: 170943

REV.: 2
 NEXT IS: 10
 SECUE: 10
 P. 9
 70





DESCRIZIONE: RESISTENZA CARTER COMPRESSORE 1
 DESCRIPTION: CRANKCASE HEATER COUPLER R 1
 BESCHREIBUNG: WIDERSTAND VERDICHTER

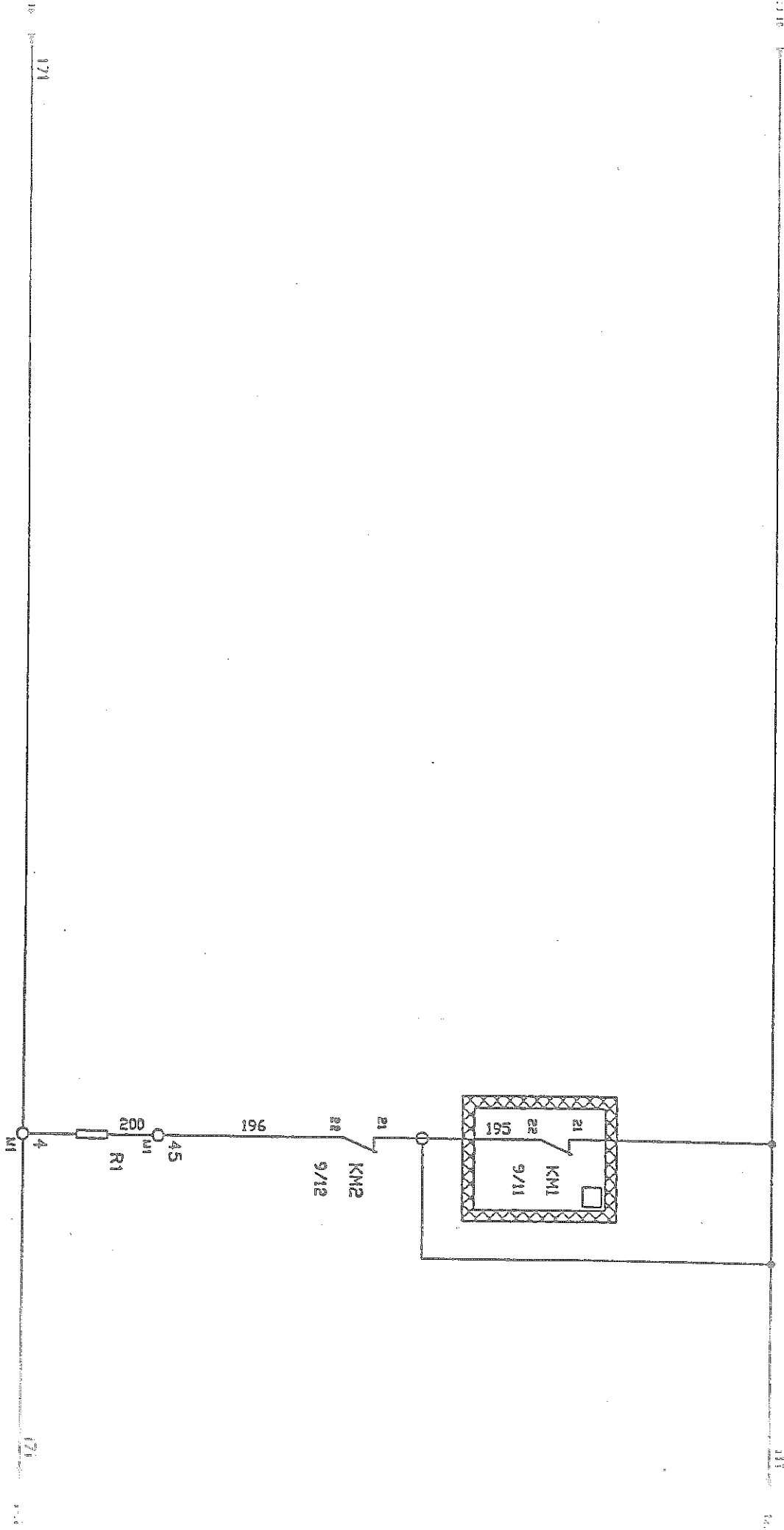
CONFIRMAZIONE:
 REFEREMENT:
 AUFFRAG:

97-1-029

N.: 170943

REV.: 2

REV. 15/11
 SEQUE: 12
 P. 11

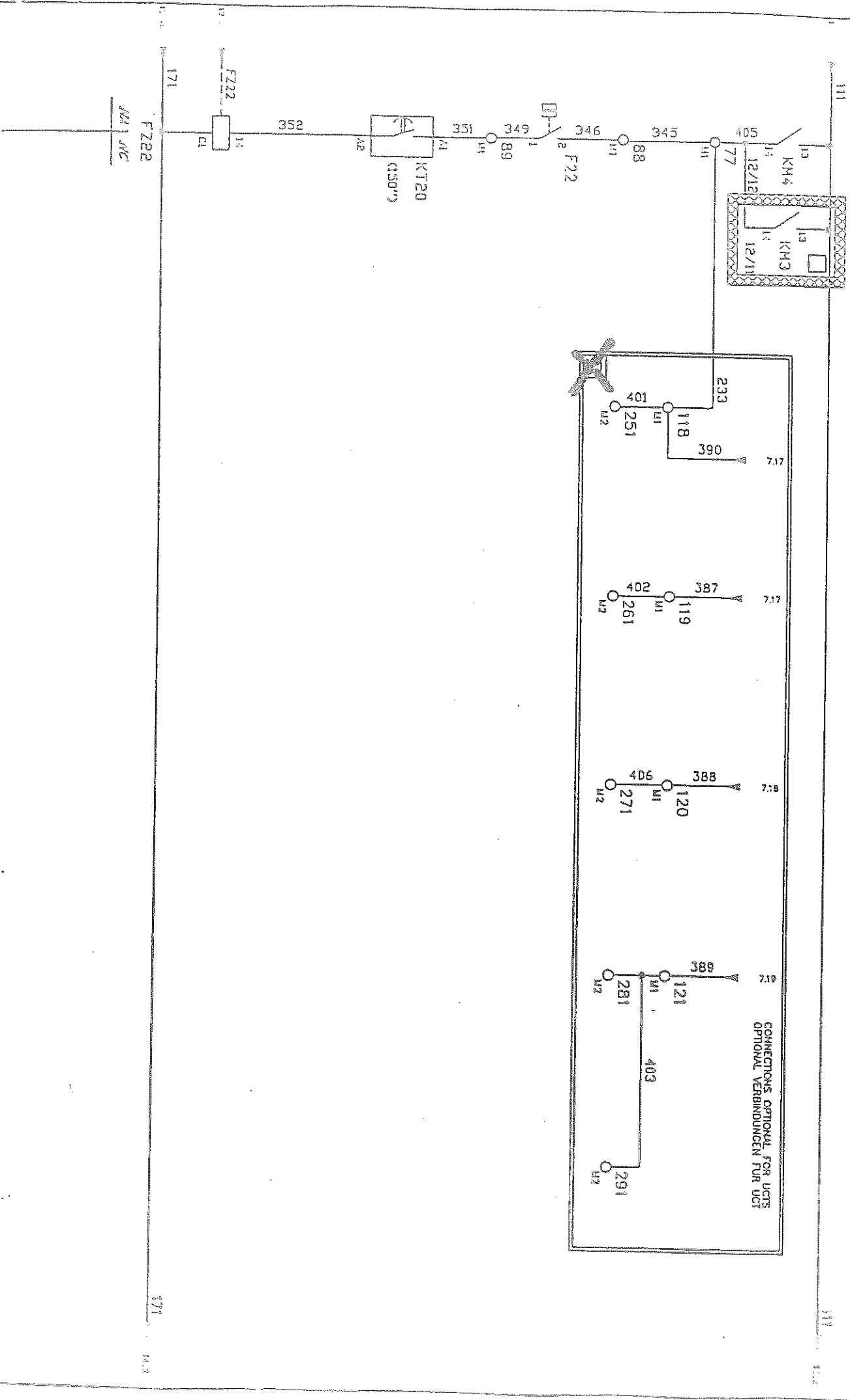


1 | 2 | 3 | 4 | 5 | 6 | 7 | 8 | 9 | 10 | 11 | 12 | 13 | 14 | 15 | 16 | 17 | 18 | 19 | 20

97-21-029

N.: 170943

REV: 2
 NEXT N°:
 SEQUE: 11
 PAV: 13



1 2 3 4 5 6 7 8 9 10 11 12 13 14 15 16 17 18 19 20

DESCRIPTION: RESISTENZA CAUER COMPRESSOR 2 - RESISTENZA EVAPORATORE
 DESCRIPTION: CRANKCASE HEATER COMPRESSOR - EVAPORATOR HEATER
 DESCRIPTION: WIDERSTAND VERDICHTER 2 - k STAND VERDAMPFER

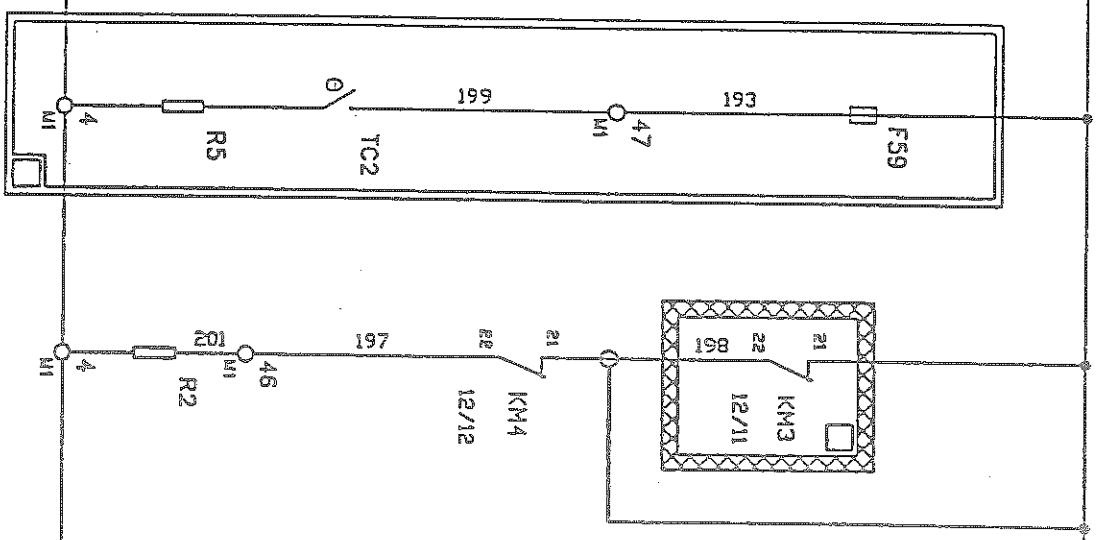
CONFIRMED:
 REFERENZ:
 AUFTRAG:

97-1-029

N.: 170943

REV.: 2
 NEXT IS: 15
 DATE: 11/70

111



171

1 2 3 4 5 6 7 8 9 10 11 12 13 14 15 16 17 18 19 20

